



Slip-On Line (Titanium)

The Akrapovič Slip-On exhaust system is designed for riders who do not want to make expensive and major modifications to their stock exhaust system. However, the Hexagonal muffler delivers great looks as well as increased performance for the Versys.

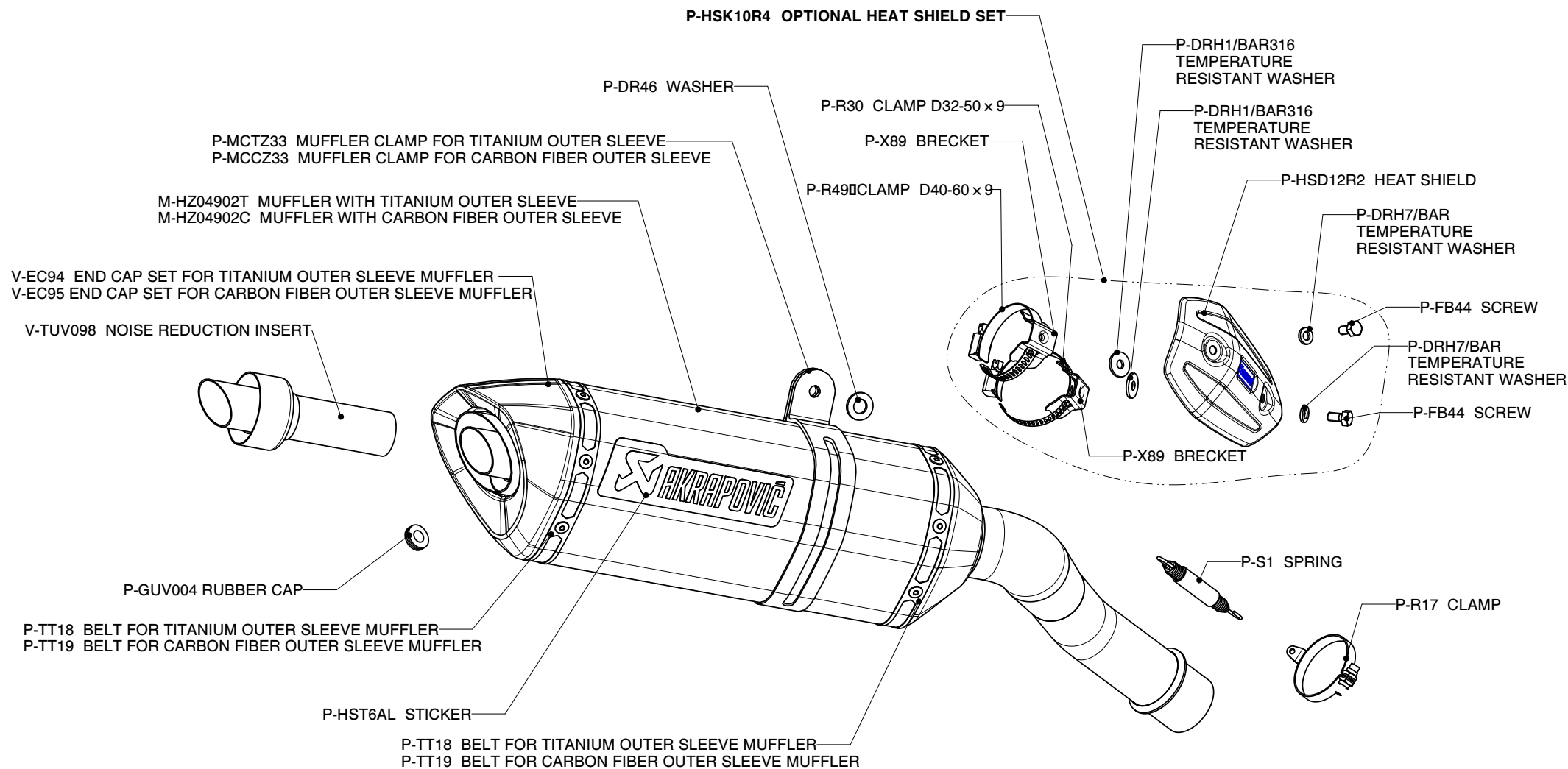
The Akrapovič Slip-On exhaust system increases engine power and its torque at every rpm. Especially from 2500 rpm on, the Akrapovič Slip-On exhaust system adds an increase in power, all the way up to the top of the rpm range.

TECHNICAL DATA	UNIT	STOCK	AKRAPOVIČ	DIFFERENCE
maximum power	kW	81.1 at 8950 rpm	83.5 at 8950 rpm	+ 3.1 at 9470 rpm
	HP (m)	110.2 at 8950 rpm	113.5 at 8950 rpm	+ 4.2 at 9470 rpm
	HP (i)	108.7 at 8950 rpm	111.9 at 8950 rpm	+ 4.1 at 9470 rpm
maximum torque	Nm	95.4 at 7910 rpm	98.2 at 7240 rpm	+ 3.6 at 5850 rpm
	lb-ft	70.4 at 8950 rpm	61.6 at 8950 rpm	+ 2.3 at 9470 rpm
weight	kg	5	1.8	- 3.2
	lb	11	11	- 7.1
static noise level	dB	89	89	0
	rpm	4500	4500	0

KAWASAKI VERSYS 1000, Partial exhaust system / Slip-ON line / EC Type approval

Product code: S-K10SO8-HZC

S-K10SO8-HZT



MUFFLER REPAIR KITS	
REPACK	P-RPCK38
Ca SLEEVE	P-RKS237ZC30
Ti SLEEVE	P-RKS238ZT30

KAWASAKI VERSYS 1000

