



SUZUKI GSR750

SLIP-ON (EC Type approval) EXHAUST SYSTEM

SUZUKI GSR750

SLIP-ON (EC Type approval) EXHAUST SYSTEM

DESCRIPTION

The Akrapovič Slip-On exhaust system is designed for riders who do not want to make expensive and major modifications to their stock exhaust system. However, the Hexagonal muffler delivers great looks as well as increased performance for the popular Suzuki. The Akrapovič Slip-On system is also EC Type approved.

PERFORMANCE

Measurements of the Akrapovič Slip-On system on the Suzuki GSR750 (without muffler insert):

Power & Torque:

The Akrapovič Slip-On exhaust system increases your engine power and its torque at practically every rpm. Especially from 5000 rpm on, the Akrapovič Slip-On exhaust system adds an increase in power, all the way up to the top of the rpm range.



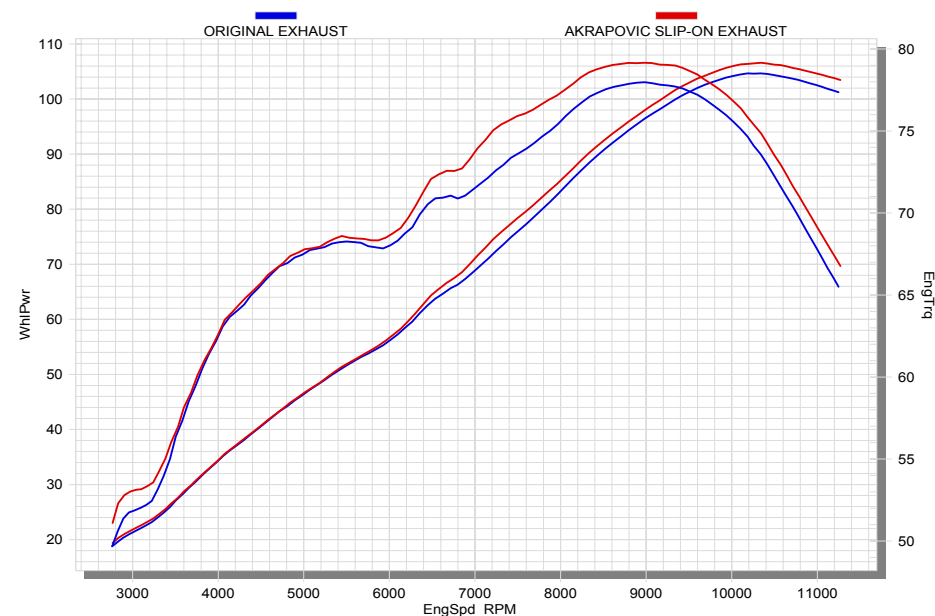
| PERFORMANCE | | | |
|--|---------------|---------------|----------------------|
| | stock | AKRAPOVIC | max. increased power |
| max. rear wheel power HP / rpm (measured on SuperFlow Cycle Dyn) | 104.7 / 10330 | 106.6 / 10340 | 2.1 / 7240 |

| ADDITIONAL DATA | | | | | |
|---------------------------|-------|--------------|--------------------|--------------|------------------|
| weight comparison (kg) | stock | AKRAPOVIC | | difference | |
| | 4.5 | SS link pipe | TITANIUM link pipe | stock - S.S. | stock - TITANIUM |
| | | 2 | - | 2.4 | - |

| noise measurements (dB / rpm) | stock | AKRAPOVIC |
|----------------------------------|-------|-----------|
| | | 88 / 5000 |
| EC Type approval | YES | |

Technical specifications of Akrapovic exhaust systems and related products subject to change without notice.

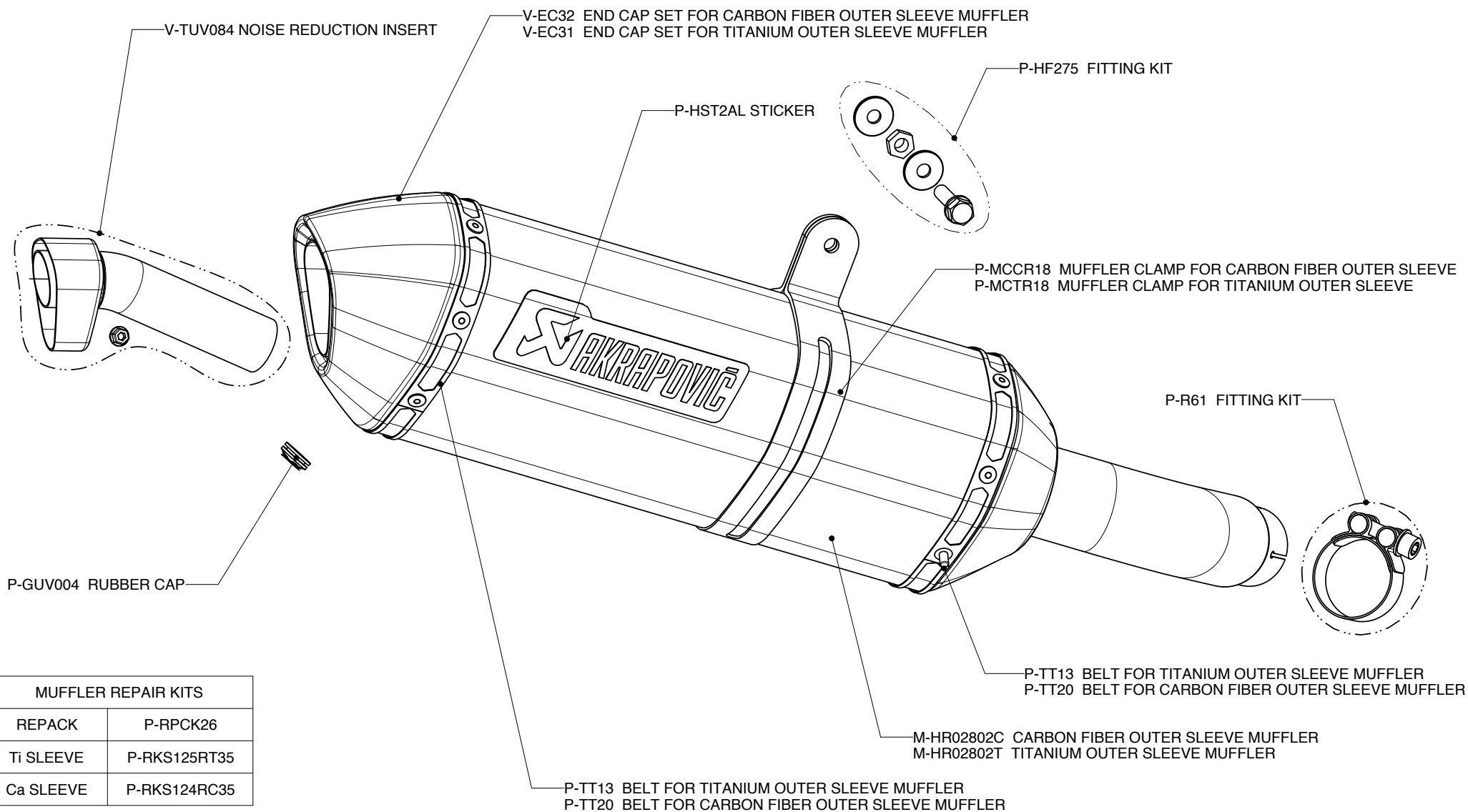
Product code: S-S7SO1-HRT
S-S7SO1-HRC



www.akrapovic.com

Akrapovic d.d. 2011 all rights reserved

09.06.2011



| MUFFLER REPAIR KITS | |
|---------------------|--------------|
| REPACK | P-RPCK26 |
| Ti SLEEVE | P-RKS125RT35 |
| Ca SLEEVE | P-RKS124RC35 |