

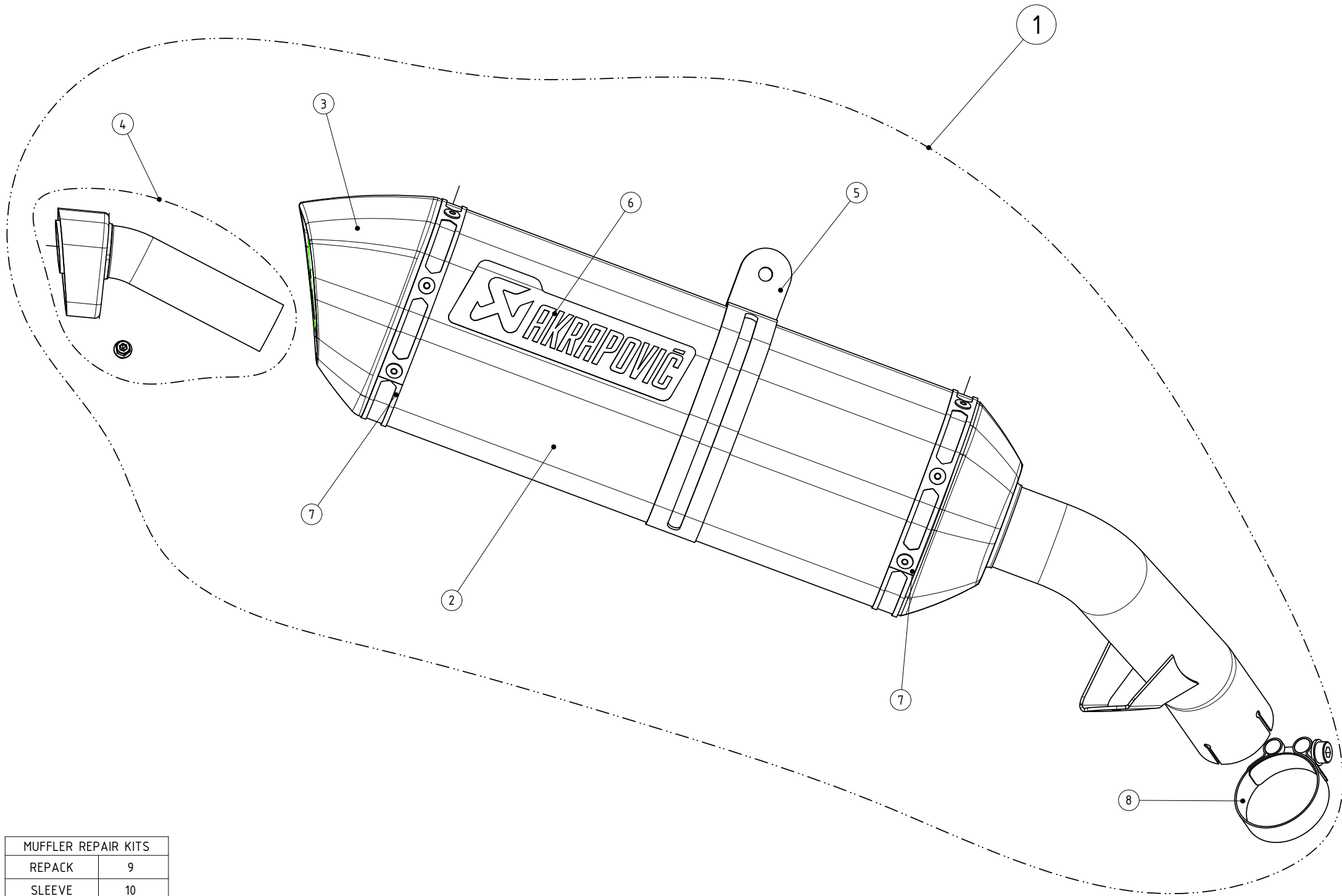


## Slip-On Line (Titanium)

The Akrapovič Slip-On exhaust system is designed for riders who do not want to make expensive and major modifications to their stock exhaust system. However, the Hexagonal muffler delivers great looks as well as increased performance for the bike.

TECHNICAL DATA	UNIT	STOCK	AKRAPOVIČ	DIFFERENCE
maximum power	kW	70.5 at 9430 rpm	73.2 at 9430 rpm	+ 2.7 at 9430 rpm
	HP (m)	95.8 at 9430 rpm	99.5 at 9430 rpm	+ 3.7 at 9430 rpm
	HP (i)	94.5 at 9430 rpm	98.1 at 9430 rpm	+ 3.6 at 9430 rpm
maximum torque	Nm	76 at 8590 rpm	79 at 8630 rpm	+ 4.2 at 6350 rpm
	lb-ft	56.1 at 9430 rpm	54 at 9430 rpm	+ 2 at 9430 rpm
weight	kg	5.8	2.2	- 3.6
	lb	12.8	12.8	- 7.9
static noise level	dB	88	88	0
	rpm	5000	5000	0

measured with: Honda Crossrunner 2011



MUFFLER REPAIR KITS	
REPACK	9
SLEEVE	10

No.	SALES CODE	DESCRIPTION	QTY.
1	S-H8SO2-HRT	S HO Crossrunner SO 012 MST R H	1
2	M-HR02902T	M HSO S50R1 T350/50 C69×49R5/32 HO Cross	1
3	V-EC31	SRO zad. CA R5 TI za BMW K1200S,R E,R 05	1
4	V-TUV084	vložek ses. HOM SS D32/90/65×46/22° D	1
5	P-MCTR27	MC CA R TI 25/8,5/98/32 TR27	1
6	P-HST2AL	nalepka Akrap. HOR 150 AL	1
7	P-TT13	trak zak. TI L=410 S=16 R TI TT13	2
8	P-R12/1	objemka SS D50×16 M8×35	1
9	P-RPCK49	MMRCK tip 49	1
10	P-RKS125RT35	MRRSK tip125T35 TI350R	1