



# SUZUKI GSX-R 600

SLIP-ON STREET LEGAL EXHAUST SYSTEM

The Akrapovič Slip-On exhaust system is designed for riders who do not want to make expensive and major modifications to their stock exhaust system. However, the Hexagonal muffler delivers great looks as well as increased performance for the popular Suzuki. The Akrapovič Slip-On system is also street legal.

## PERFORMANCE

Measurements of the Akrapovič Slip-On system on the Suzuki GSX-R600 (without muffler insert):

### Power & Torque:

The Akrapovič Slip-On exhaust system increases your engine power and its torque at practically every rpm. Especially from 5500 rpm on, the Akrapovič Slip-On street legal exhaust system adds an increase in power, all the way up to the top of the rpm range.



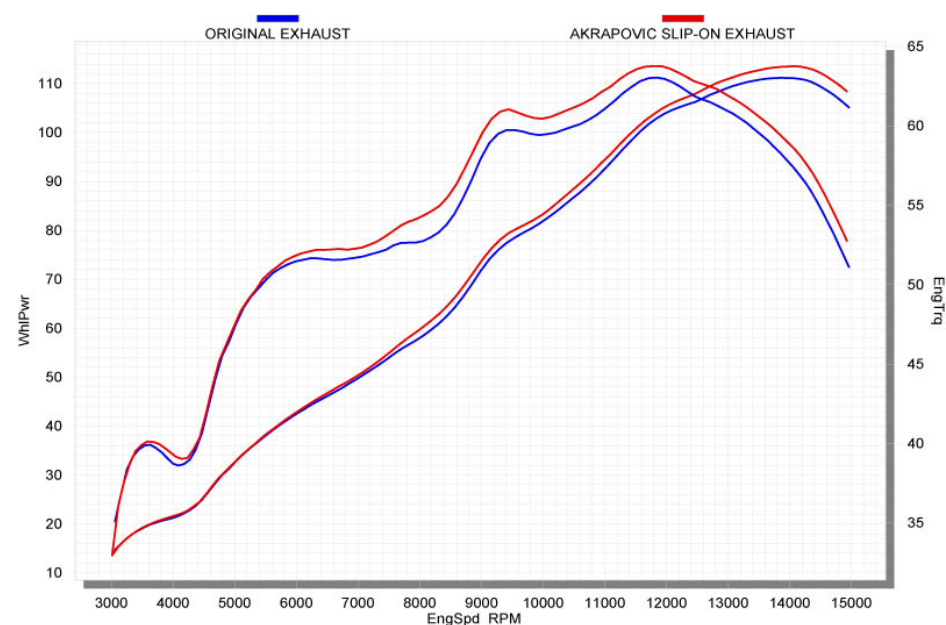
PERFORMANCE			
	stock	AKRAPOVIC	max. increased power
max. rear wheel power HP / rpm (measured on SuperFlow Cycle Dyn)	111.1 / 14000	113.6 / 14000	2.5 / 14000

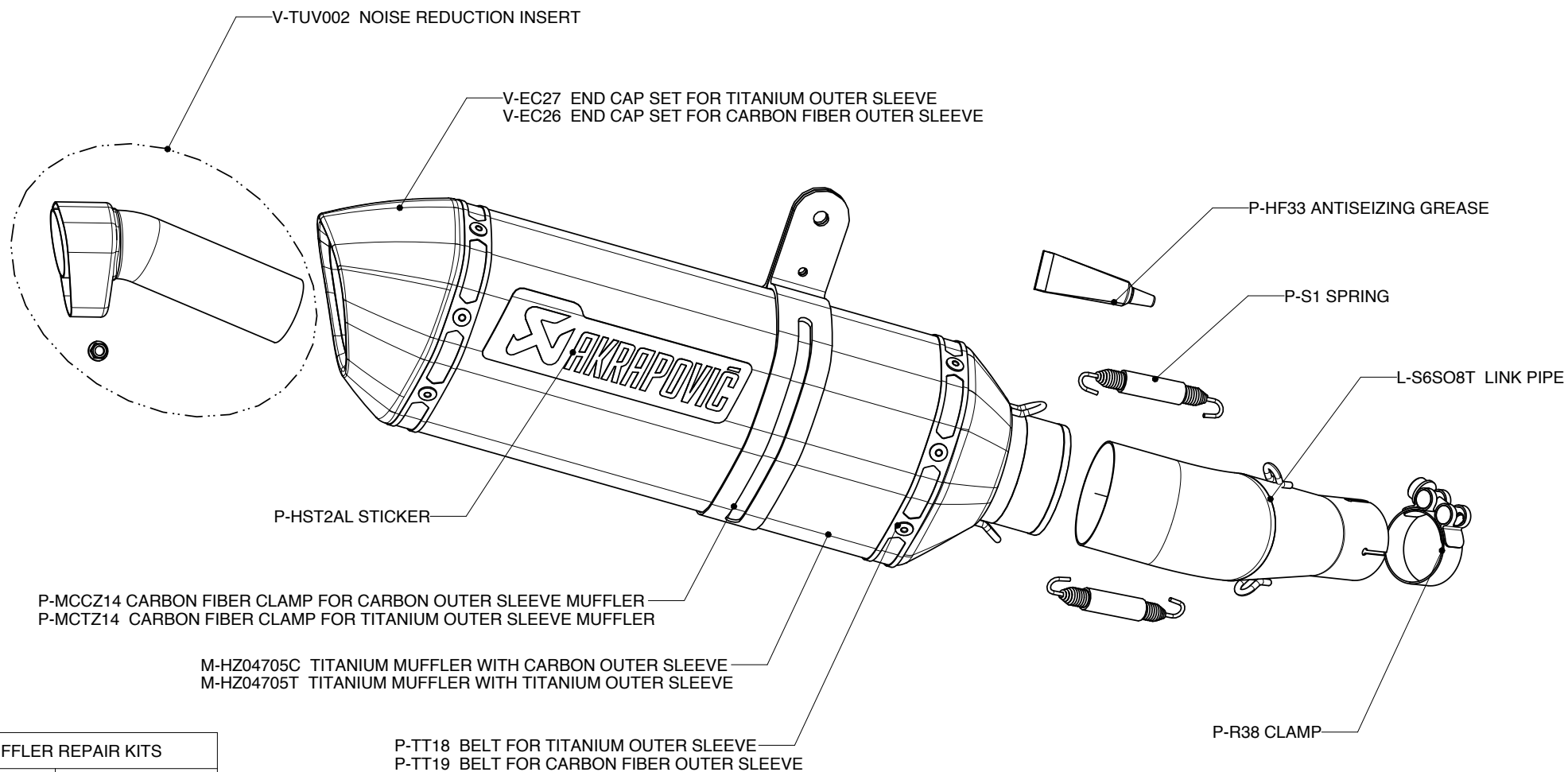
ADDITIONAL DATA					
weight comparison (kg)	stock	AKRAPOVIC		difference	
	2.5	SS link pipe	TITANIUM link pipe	stock - S.S.	stock - TITANIUM
		-	1.5	-	0.9

noise measurements (dB / rpm)	stock	AKRAPOVIC
		93 / 6750
legal for street use	YES	

Technical specifications of Akrapovic exhaust systems and related products subject to change without notice.

Product code: S-S6SO8-HZC, S-S6SO8-HZT





MUFFLER REPAIR KITS	
REPACK	P-RPCK39
Ca SLEEVE	P-RKS115ZC30
Ti SLEEVE	P-RKS116ZT30