



Slip-On Line (Titanium)

Produkt-Code: **S-B8SO4-HRT** **EC** **EPA** **CARB**

The Akrapovič Slip-On exhaust system is designed for riders who do not want to make expensive and major modifications to their stock exhaust system. However, the Slip-On exhaust delivers great looks as well as increased performance for the bike.

TECH. DATEN	EINHEIT	ORIGINAL	AKRAPOVIČ	MAX. WERTE
Maximale Leistung	kW	64.4 bei 8740 rpm	65.2 bei 8670 rpm	+ 1.5 bei 5420 rpm
	PS (m)	87.5 bei 8740 rpm	88.7 bei 8670 rpm	+ 2.1 bei 5420 rpm
	PS (i)	86.3 bei 8740 rpm	87.5 bei 8670 rpm	+ 2.1 bei 5420 rpm
Maximales Drehmoment	Nm	81 bei 6080 rpm	81.3 bei 6090 rpm	+ 2.6 bei 5360 rpm
	lb-ft	59.7 bei 6080 rpm	60 bei 6090 rpm	+ 1.9 bei 5360 rpm
Gewicht	kg	4.9	2.8	- 2.1
	lb	10.8	6.2	- 4.6
Statische Geräuschpegel	dB	94	94	0
	rpm	4000	4000	0

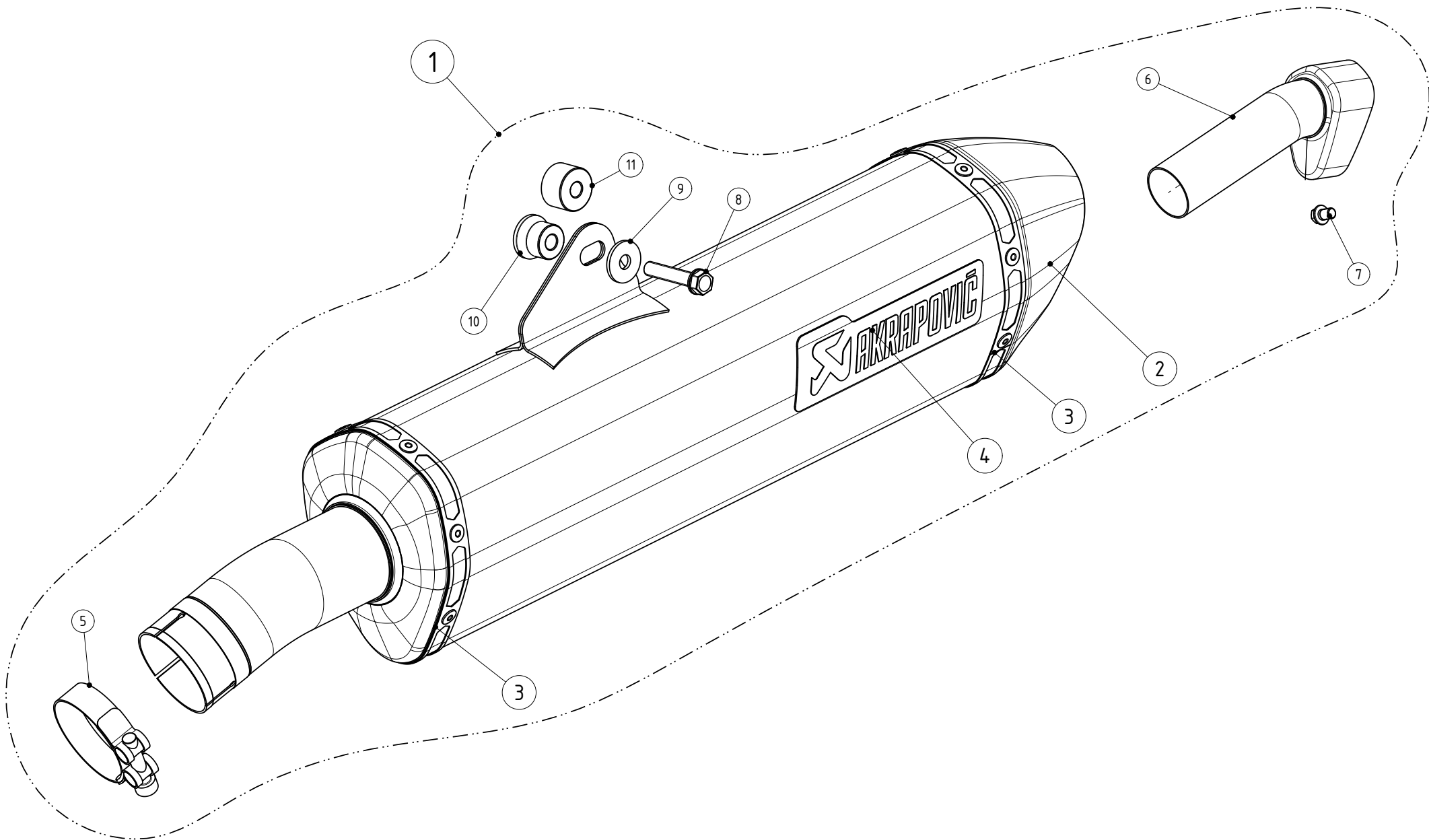
gemessen mit: BMW F 800 GT 2013

BMW F800GT (K71)

 STOCK

 SLIP-ON





MUFFLER REPAIR KITS	
REPACK	12
SLEEVE	13

No.	SALES CODE	DESCRIPTION	QTY.
1	S-B8SO4-HRT	slip on system	1
2	V-EC200	end cap CA	1
3	P-TT31	titanium tape	2
4	P-HST2AL	sticker	1
5	P-R32	clamp SS	1
6	V-TUV052L/2	noise insert SS	1
7	P-FB40	bolt	1
8	P-FB23	bolt	1
9	P-DR4	washer SS	1
10	P-DR75	bush AL	1
11	P-DR10	spacer bushe AL	1
12	P-RPCK19	muffler repack kit	1
13	P-RKS375RT45	sleeve kit factory	1