

Il montaggio del prodotto deve essere eseguito da personale specializzato.
The mounting of the product it must be realized from skilled personnel.

Immagini usate a fini esclusivamente illustrativi
images used for illustrative purposes only

- ITA CNC RACING si riserva il diritto, a sua esclusiva discrezione, di apportare modifiche al prodotto e a queste informazioni in qualsiasi momento e senza preavviso.

Use of the Products, usage precautions and disclaimer.

The Products covered by the purchase/sales contract concluded between the parties and, in general, all the Products manufactured and/or marketed by the Vendor are products intended for competitive use exclusively in private spaces. Any use of the Products on motor vehicles intended to be used on public roads requires prior registration with the competent authorities. By accepting these Conditions of Sale, the Customer declares to be well aware of the above circumstances, to expressly accept them and to have understood the risk involved in violating the precautions indicated above. In any case, should the Customer violate the precautions regarding the use of the Products indicated above, by using the Products for a use other than racing, the Vendor declines any liability for anything that might happen to the Customer for any reason whatsoever.

- ENG CNC RACING reserves the right, in its sole discretion, to modify the product and this information at any time without prior notice.

Use of the Products, usage precautions and disclaimer.

The Products covered by the purchase/sales contract concluded between the parties and, in general, all the Products manufactured and/or marketed by the Vendor are products intended for competitive use exclusively in private spaces. Any use of the Products on motor vehicles intended to be used on public roads requires prior registration with the competent authorities. By accepting these Conditions of Sale, the Customer declares to be well aware of the above circumstances, to expressly accept them and to have understood the risk involved in violating the precautions indicated above. In any case, should the Customer violate the precautions regarding the use of the Products indicated above, by using the Products for a use other than racing, the Vendor declines any liability for anything that might happen to the Customer for any reason whatsoever.

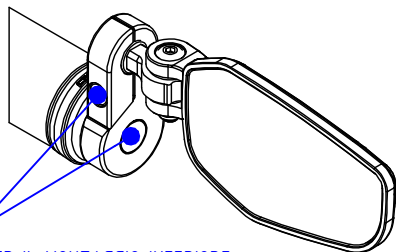
LEGENDA / LEGEND

OEM

Parte della dotazione originale
Original equipment manufacturer's part

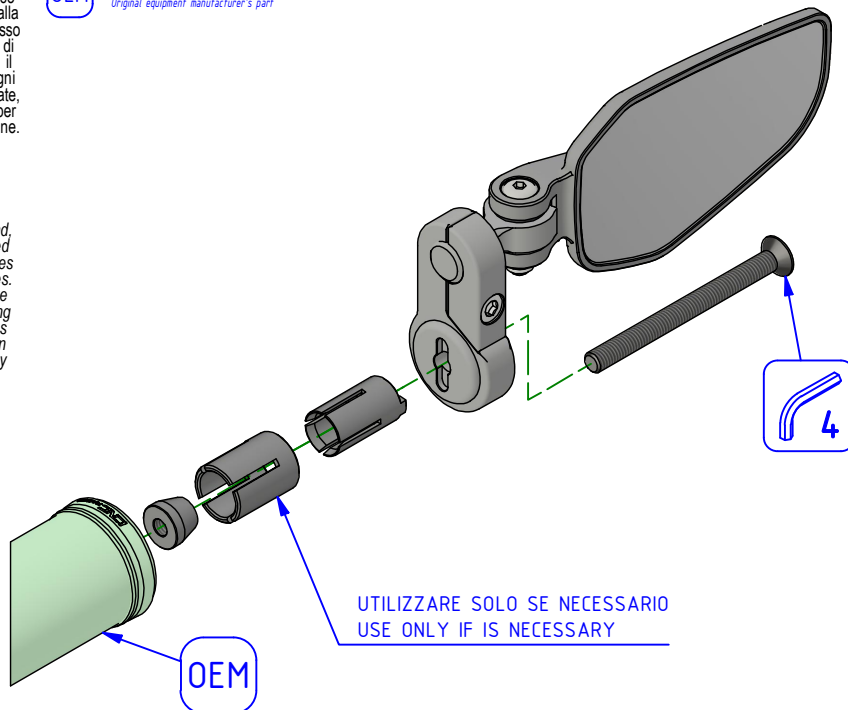
LATO DESTRO
RIGHT SIDE

ESEMPIO DI MONTAGGIO SUPERIORE
UPPER MOUNTING EXAMPLE



PER IL MONTAGGIO INFERIORE:
ALLENTARE LE DUE VITI INDICATE
E GIRARE L'ATTACCO DI 180°

FOR THE LOWER MOUNTING:
LOOSEN THE TWO SCREWS INDICATED
AND TURN THE ATTACK OF 180°



UTILIZZARE SOLO SE NECESSARIO
USE ONLY IF IS NECESSARY

CNC RACING ISTRUZIONI INSTRUCTIONS **MR711**

PARTI ANODIZZATE e/o LEXAN: NON USARE sgrassatori a base acida o alcalina. Usare saponi neutri. Lavare a moto fredda, mai calda. No idropulitrice.
ANODIZED and / or LEXAN PARTS: DO NOT USE acid or alkaline based degreasers. Use neutral soaps. Wash on a cold bike, never hot. No pressure washer.