

ASSEMBLING INSTRUCTION

CRASH PAD FITTING

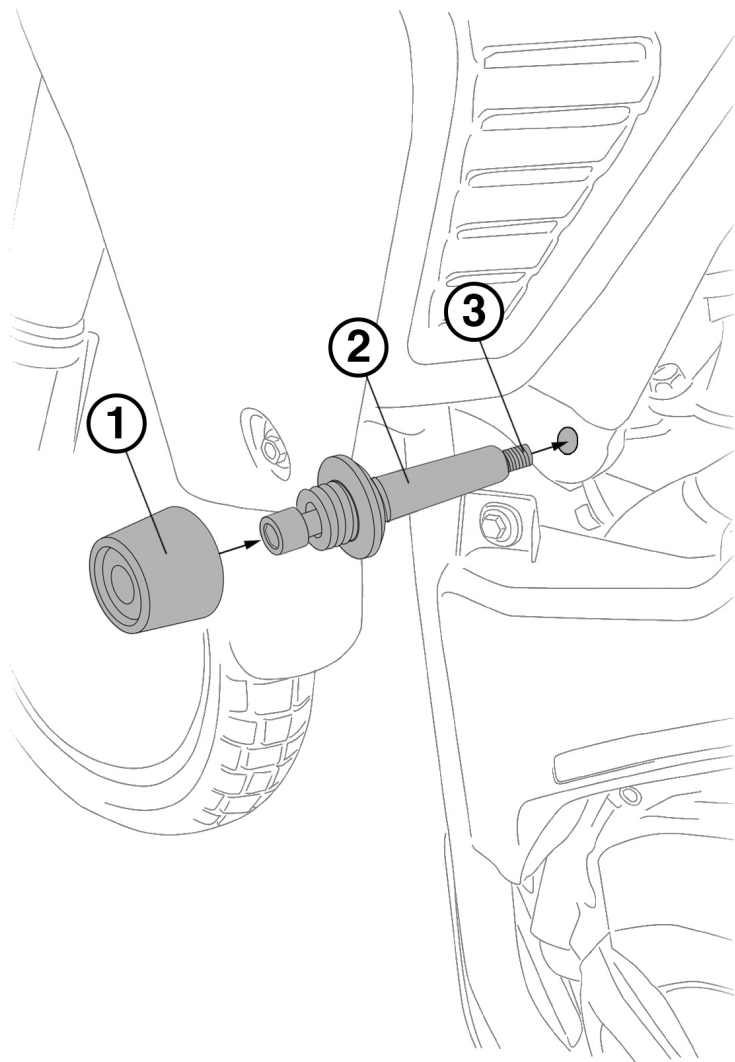
YT7101

WWW.BARRACUDAMOTO.COM

LEGEND

- | | |
|---|--|
| 1. CRASH PAD HEAD
TESTA TAMPONE
CABEZA CRASH PAD
KOPF CRASH PAD
TÊTE DE CRASH PAD | 4. RIGHT BASE CRASH PAD
BASE TAMPONE DESTRA
BASE CRASH PAD DERECHA
BASE CRASH PAD RICHTIG
BASE CRASH PAD DROIT |
| 2. LEFT BASE CRASH PAD
BASE TAMPONE SINISTRA
BASE CRASH PAD IZQUIERDA
BASE CRASH PAD LINKS
BASE CRASH PAD GAUCHE | 5. HEX HEAD SCREW M12X80
VITE TESTA ESAGONALE M12X80
TORNILLO DE CABEZA HEXAGONAL M12X80
SECHSKANTSCHRAUBE M12X80
VIS À TÊTE HEXAGONALE M12X80 |
| 3. SOCKET HEAD SCREW M12X130
BRUGOLA TESTA CILINDRICA M12X130
TORNILLO DE CABEZA HUECA M12X130
INNENSECHSKANTSCHRAUBE M12X130
VIS À MÉTAUX TÊTE CYLINDRIQUE M12X130 | |

LEFT SIDE



RIGHT SIDE

