

**MOUNTING PROCEDURE**

KIT SAVE CARTER  
KAWASAKI Z-800 '13

**KN8101/13**

[WWW.BARRACUDAMOTO.COM](http://WWW.BARRACUDAMOTO.COM)

**RIGHT SIDE:**

REMOVE THE ORIGINAL BUSH AND INSERT THE ALUMINUM SPACER; FIX THE SAVE CARTER LIKE SHOWN IN THE PICTURE.

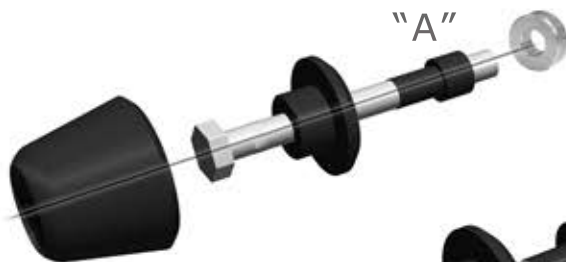
**LEFT SIDE:**

REMOVE THE ORIGINAL BUSH AND INSERT THE ALUMINUM SPACER; FIX THE SAVE CARTER LIKE SHOWN IN THE PICTURE.



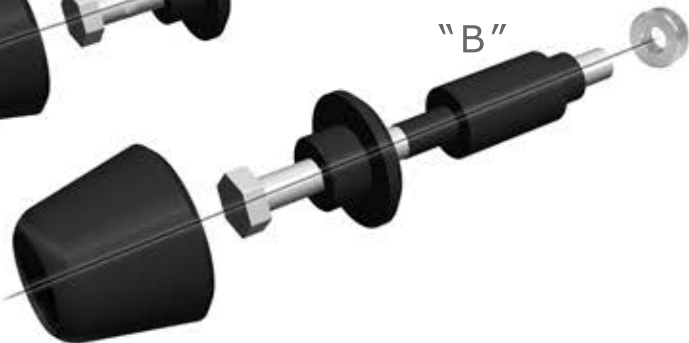
**Right Side**  
Bolt 80x70

"A"



**Left Side**  
Bolt 80x100

"B"

**FIXING SCHEME:**

PUT THE ALUMINUM SPACER INTO THE BUSH SPACE.

**WARNING:**

FIND THE MOUNTING POINTS BEFORE THE FIXING PROCESS.  
FOLLOW THE PROCEDURE DESCRIBED AND LOCK ALL.

FIX THE PVC HEAD OF SAVE CARTER ONLY AFTER THE MOUNTING AND LOCKING SAVE CARTER KIT