

MOUNTING PROCEDURE

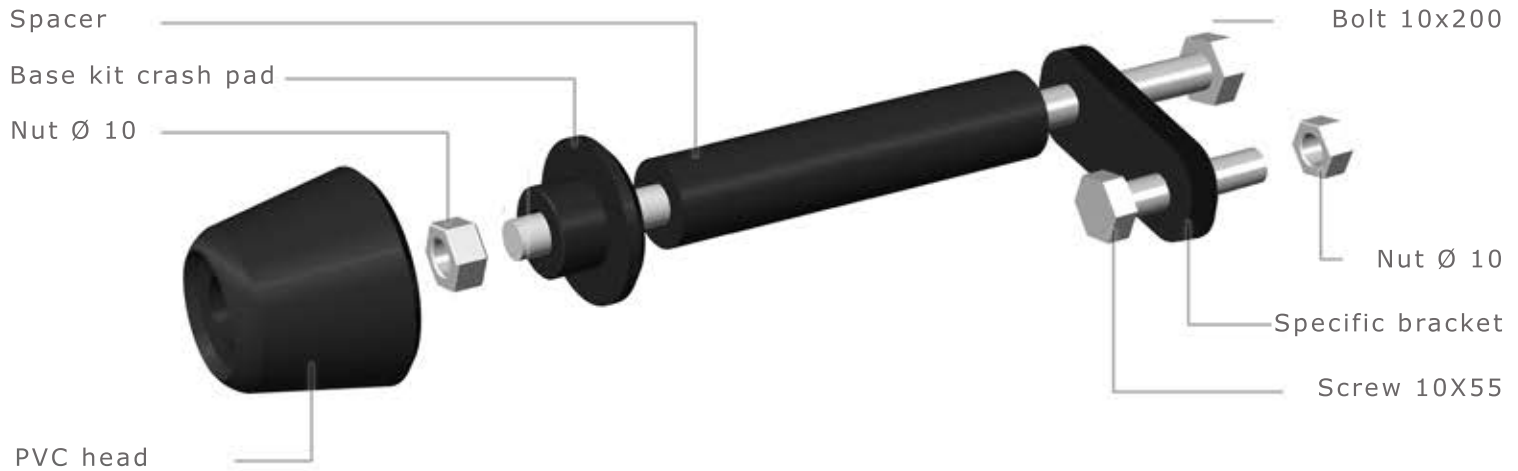
KIT SAVE CARTER KAWASAKI Z300

KN3101

WWW.BARRACUDAMOTO.COM

KIT

- X2. SPACER
- X2. BOLT 10X200
- X2. SCREW 10X55
- X4. NUT Ø 10 AUTOLOCK
- X2. SPECIFIC BRACKET
- X2. PVC HEAD
- X2. BASE KIT CRASH PAD



Fixing point of RIGHT side



Mounting RIGHT side



FIND THE FIXING POINT ON THE MOTORBIKE ONE TIME FOR SIDE BEFORE START THE MOUNTING PROCESS

USE THE THICKNESS AND BOLTS LIKE DESCRIBED ON THE PICTURE TO FIND THE RIGHT PROJECTION OF CRASH PAD FROM THE MOTORBIKE

FIX THE PVC HEAD OF CRASH PAD AFTER THE FIXING AND THE LOCKING ALL THE KIT.